



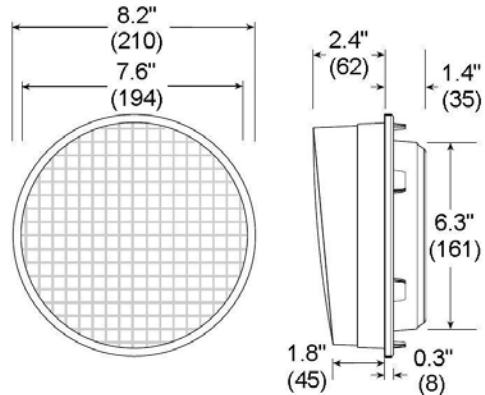
RX11 • 8-INCH • BALL • EXPANDED VIEW LED TRAFFIC SIGNAL MODULES

1 Features & Benefits

- High efficiency & long life LED light source
- Designed to conform to applicable ITE specifications
- Failure of single LED results in loss of light from only that LED
- Moisture and dust resistant
- Direct retrofit design
- Incandescent look
- Expanded field of view for special applications
- Sun phantom protection
- All products shipped with installed gasket

2 Mechanical Outline

Dimensions in inches. (mm) indicates metric equivalent



3 Design Qualification Testing

Test Type	Compliance
Luminous Intensity	ITE VTCSH-STD Part 2
Chromaticity	ITE VTCSH-STD Part 2
Moisture Resistance	NEMA STD 250 Type 4 - 1991
Mechanical Vibration	MIL-STD-883 Method 2007
Electronic Noise	FCC Title 47 Sub. B Sec 15 ¹
Transient Voltage Protection	ITE VTCSH-STD Part 2
Controller Compatibility	NEMA TS-2-1992
Wiring	National Electric Code

¹Class A

4 General Specifications

Parameter	Rating
Operating Temperature Range	-40 to +74° C (-40 to +165° F)
Operating Voltage Range	80 to 135 V (60Hz AC)
Power Factor (PF)	> 90 %
Total Harmonic Distortion (THD)	< 20 %
Voltage Turn-Off (VTO)	45 V
Lens & Shell Material	UV Stabilized Polycarbonate
Wiring	16 AWG, Color Coded with Strain Relief

5 Product Characteristics

Model Number	AC Voltage	Power (W)	Wavelength (nm)	Maintained Intensity (Cd)
	Nominal	Nominal	Dominant	Minimum ²
DR4-RTFB-20A-40	120V - 60Hz	5	626	133
DR4-YTFB-20A-40	120V - 60Hz	14	589	267 ³
DR4-GTFB-20A-40	120V - 60Hz	6	508	267
DR4-GCFB-20A-40	120V - 60Hz	6	508	267

Options :
 - Q : Quick Connect
 - S : Medium Base Socket
 - F : In-line Fuse

Standard product equipped with spade connectors.

²Measured at ±2.5° H -2.5° V, T_a = 25° C

³ Actual intensity less than ITE specification.

Distributed by:

Information provided is subject to change without notice.

Web Site : www.gelcore.com • Email : signals@gelcore.com

Americas P : 216.606.6555 • F : 216.606.6599 • Europe P : ++352.091112567

Publication No: SSUS012E • R:12/23/03 • GELcore is a joint venture between GE Lighting and EMCORE Corporation

