

RG4 LED Level Crossing Signal Modules

8 inch (200mm)



Outstanding Safety & Reliability

- Self-contained design provides protection against moisture and dust
- Designed for retrofit into existing housings

Excellent Appearance & Visibility

- Robust LED system design enables high luminous intensity over long product life
- Efficient optical system delivers uniform color

Meets Rigorous Certification & Testing Standards

- Meets AREMA standards
- All lamps undergo comprehensive testing in the manufacturing plant

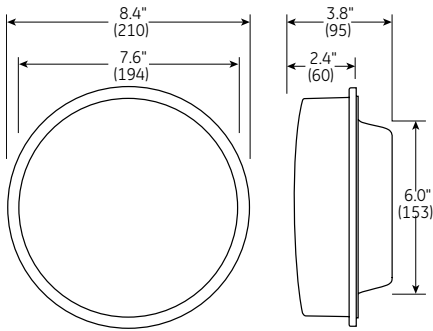


RG4 LED Level Crossing Signal Modules

• 8 inch (200mm)

Dimensions in inches. (mm) indicates metric equivalent

Mechanical Outline



Design Compliance

| Parameter | Compliance |
|----------------------|------------------------------------|
| Environmental Limits | AREMA Part 11.5.1 -Class B |
| Electronic Noise | FCC Title 47 Sub.B Sec. 15 Class A |
| Transient Immunity | AREMA Part 11.3.3 |

Operating Specifications

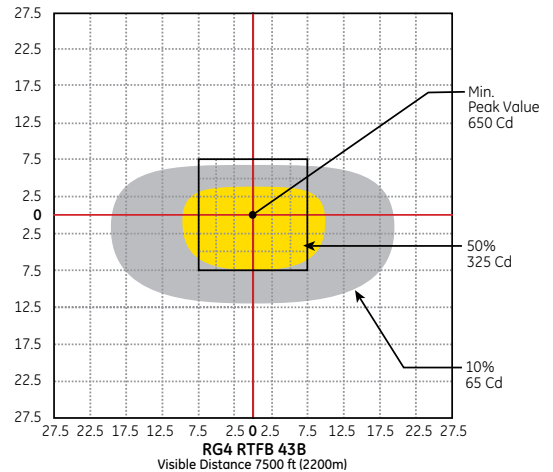
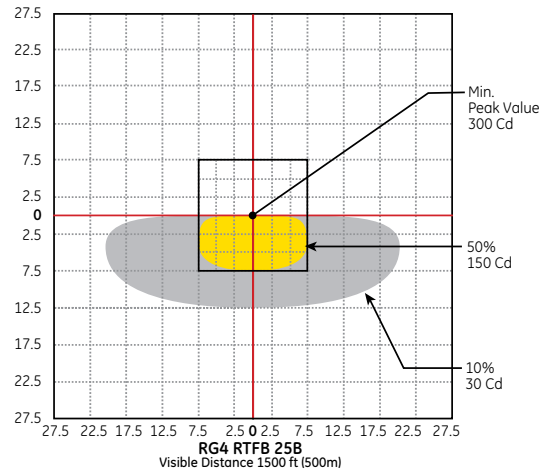
| Parameter | Rating |
|-------------------------|--|
| Operating Temperature | -40 to +70°C (-40 to +158°F) |
| Operating Voltage Range | 8V to 20V DC 8V to 16V AC (50-60Hz) |
| Voltage Turn-Off (VTO) | 4V |
| Power Surge | 45Vrms for 80ms. |
| Maximum Current Draw | 1.2A |

Product Information

| Model Number | Dominant Wavelength (nm) | Nominal Power (W) | Peak Intensity (cd) | Beam Angles (50% of peak intensity) | Field Angles (10% of peak intensity) |
|----------------|--------------------------|-------------------|---------------------|-------------------------------------|--------------------------------------|
| ● RG4-RTFB-25B | 630 | 9 | 300 | 15°H x -7.5°V | 40°H x -12.5°V |
| ● RG4-RTFB-43B | 630 | 13 | 650 | 18°H x -11°V | 38°H x -16°V |

All values are design or typical values when measured under laboratory conditions at T=25°C.

Photometric Characteristics



Distributed by:



1975 Noble Road, Bldg 338E
East Cleveland, Ohio 44112-6300 • USA
P: 1.216.266.2419 • F: 216.266.2158
www.lumination.com • signals@lumination.com

For customer service & technical support, contact:
1-888-MY-GE-LED (1.888.694.3533)

Lumination, LLC is a subsidiary of the General Electric Company. The GE brand and logo are trademarks of the General Electric Company.
© 2010 Lumination, LLC. Information provided is subject to change without notice. All values are design or typical values when measured under laboratory conditions.

RAIL031-R051010